

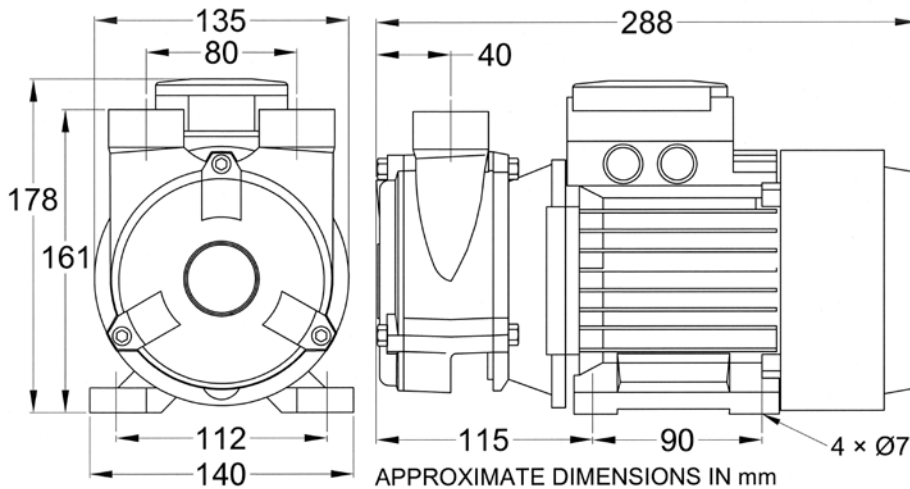
PERFORMANCE

Model	Maximum flow rate			Maximum head	
	l/min	cu.m/hr	gall/min	metres	feet
PC25EM 2T50	133	8	29	24	78.5

DIMENSIONS IN MM (APPROX.)

WEIGHT: 11.6Kg

PC25EM2T50



Standard a.c. motor 1.1kW, 2770 rpm 400v/3/50Hz, totally enclosed fan ventilated IP55 enclosure. Contact your pump supplier for details of alternative motors

MATERIALS OF CONSTRUCTION

Pump casing	bronze
Impeller	bronze
Shaft	stainless steel AISI316
Pump head bolts	stainless steel
O-ring static seal	nitrile rubber

Pump performance and specification are subject to alteration without notice

FP PUMPS

PC25 EM2T50



**1" BSP BRONZE
SELF-PRIMING-SIDE
CHANNEL PUMP
CLOSE COUPLED to
2 POLE 400V/3/50Hz
IP55 MOTOR**

- ★ reliable continuous duty pump
- ★ corrosion-resistant bronze, with stainless steel shaft
- ★ self-priming up to 3m
- ★ carbon-ceramic mechanical shaft seal

**BRONZE
PUMPS**
for
SEAWATER