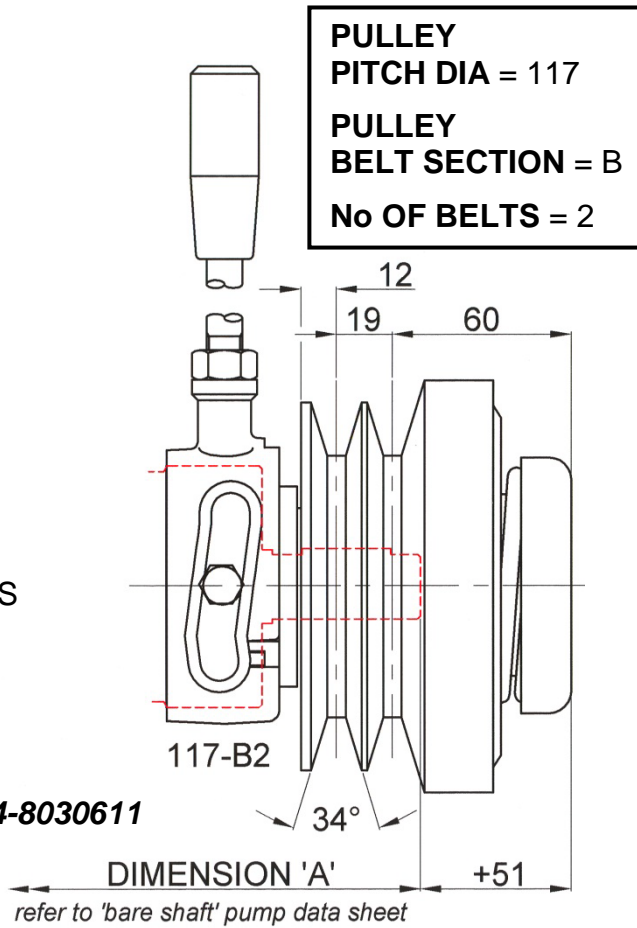


TO FIT PUMPS

- AM40 D & S
- AM40D10
- AM50 D & S
- AM50-14 D & S
- B40
- CM40 D & S
- CM40D10A
- CM50 D & S
- CM50-14A D & S

WEIGHT: 7kg

PART No: FP-94-8030611



FP PUMPS

MANUAL 'A' SERIES CLUTCHES



**MANUAL
CLUTCHES
PULLEY
PITCH DIA
117 & 140**

- * robust
- * positive lever engagement
- * spring compensated conical clutch
- * simple to fit

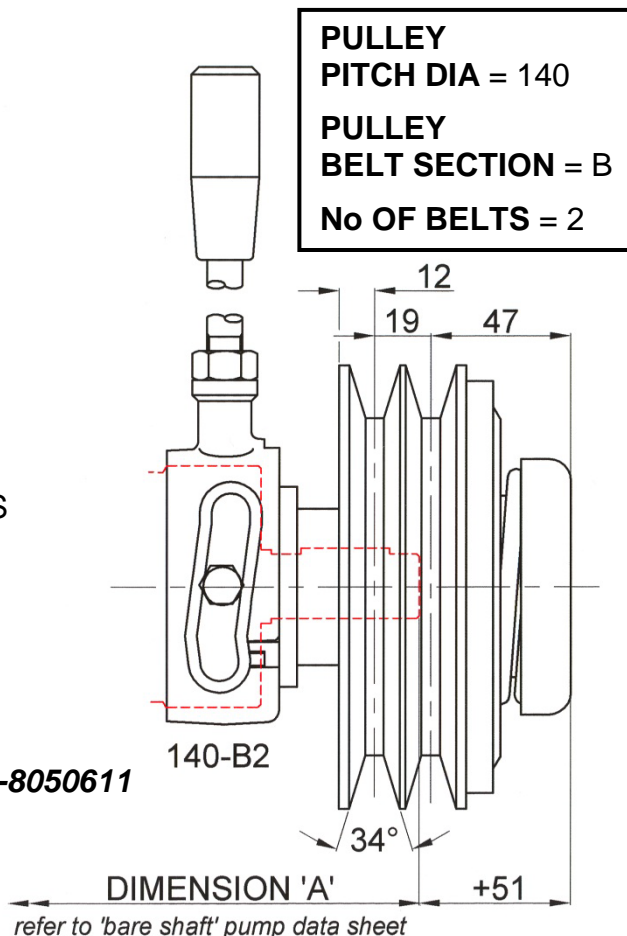
BRONZE PUMPS for SEAWATER

TO FIT PUMPS

- AM40 D & S
- AM40D10
- AM50 D & S
- AM50-14 D & S
- B40
- CM40D10A
- CM50 D & S
- CM50-14A D & S
- PC40B16

WEIGHT: 7kg

PART No: FP-94-8050611



Xylem Water Solutions UK Ltd
Bingley Road
Hoddesdon
Hertfordshire • EN11 0BU UK

Tel: +44 (0)1462 480380
Fax: +44 (0)1462 482422
mail@cleghorn.co.uk
www.jabscoshop.com

xylem
Let's Solve Water

Dimensions In mm (Approx.)