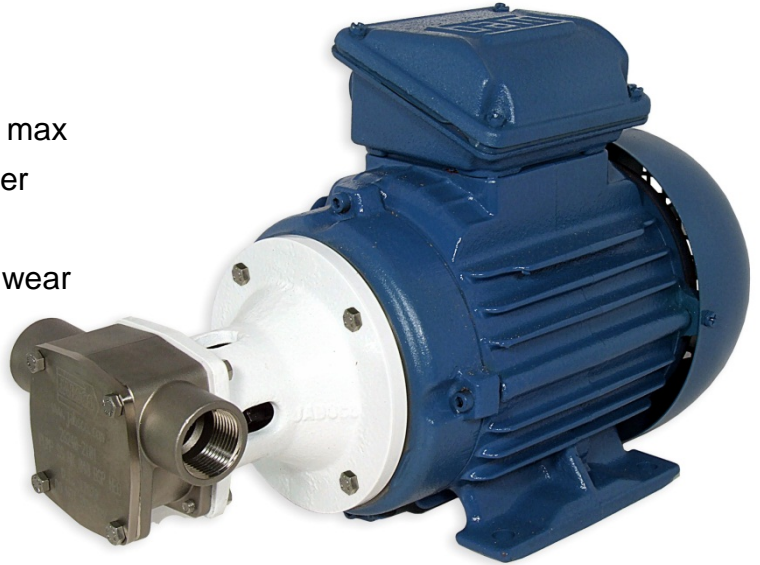




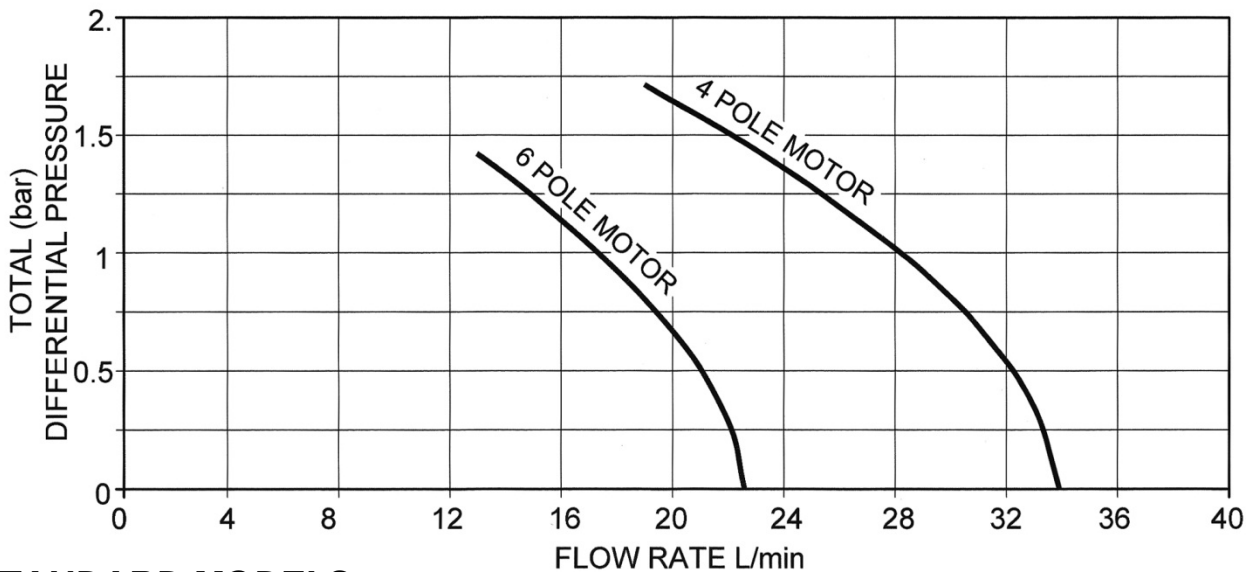
a xylem brand

28240 SERIES FLEX IMPELLER STAINLESS STEEL MOTOR PUMP UNITS (S40 size)

- Self primes from dry up to 3 metres
- Flows up to 33 litres per minute
- Pressures up to 1.7 bar.
High pressure impeller version 2.5 bar max
- Handles soft solids up to 5 mm diameter
- Certified to US 3A Standard 02-09
- Tolerates abrasive wear - replaceable wear plate
- Maximum viscosity:
4 pole motor approx 150cP
6 pole motor approx 700cP
- Low shear design



PUMP PERFORMANCE:



STANDARD MODELS:

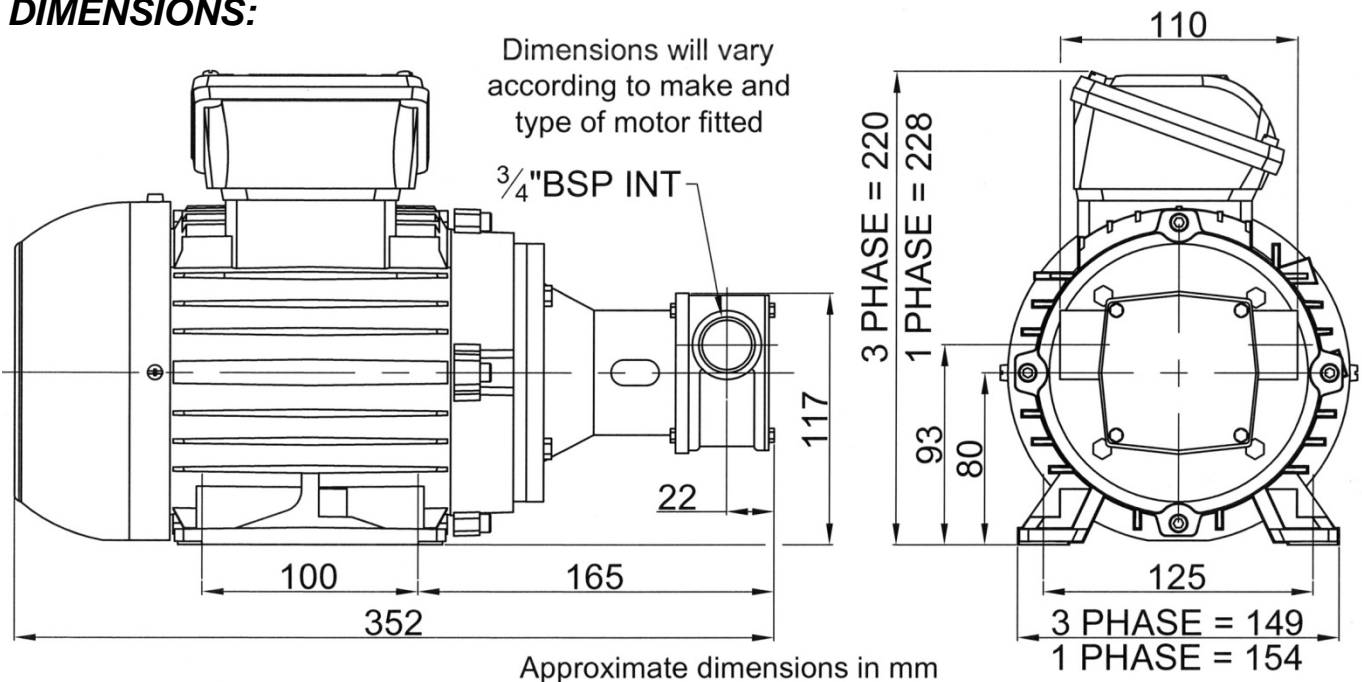
MODEL	IMPELLER	PORTS	SEAL	MOTOR	SPEED	POWER
28240-2101C	3A Neoprene	¾" BSP	Carbon / Ceramic	230/1/50Hz	4 pole	0.55kW
28240-2101L	3A Neoprene	¾" BSP	Carbon / Ceramic	230/1/50Hz	6 pole	0.37kW
28240-2101E	3A Neoprene	¾" BSP	Carbon / Ceramic	230-400/3/50Hz	6 pole	0.55kW
28240-2101H	3A Neoprene	¾" BSP	Carbon / Ceramic	230-400/3/50Hz	4 pole	0.55kW

IMPELLER TEMPERATURE RANGE:

ELASTOMER OPTION	3A Neoprene	E.P.D.M.	Nitrile	Viton
TEMPERATURE RANGE	4°C to 80°C	4°C to 90°C	10°C to 90°C	15°C to 90°C

SPECIFICATIONS:

SEAL OPTIONS:	Carbon / ceramic mechanical face seal (standard). Tungsten carbide / ceramic hard faced seal Flushed options for crystallising fluids
SEAL ELASTOMER:	Nitrile or Viton
PUMP HEAD:	Stainless steel 316, as cast interior and exterior finish
END COVER:	Stainless steel 316 grade
SHAFT:	Stainless steel 316 grade
MOTOR:	TEFV & IP55
MOTOR ADAPTOR:	Epoxy coated cast iron

DIMENSIONS:

WARNING

Explosive hazard. **DO NOT** pump petrol, solvents, thinners or other flammable liquids with a flash point below 37°C (98°F)