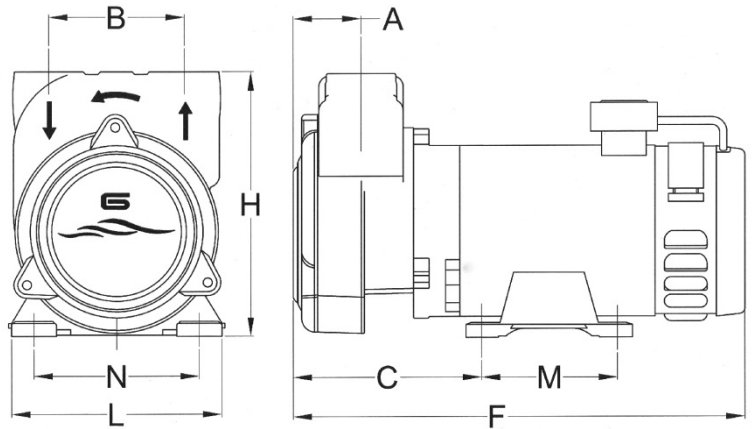
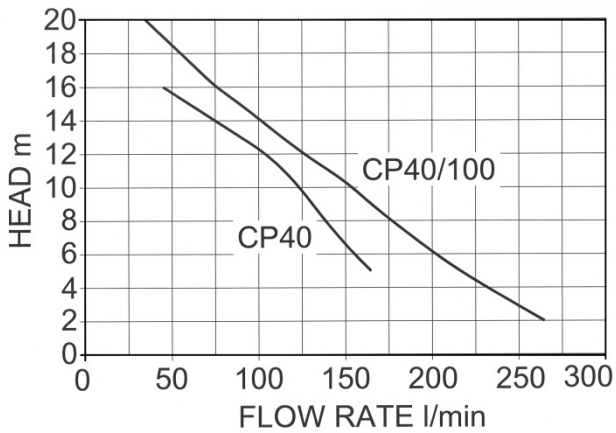


CP40, CP40/100
24V D.C.
LIQUID RING
SELF PRIMING
PUMPS



Dimensions in mm – these may vary according to the make and type of motor fitted

MODEL	A	B	C	F	H	L	M	N	IN/OUT	Weight
CP40	50	105	155	370	215	180	100	140	1½" BSP	26 Kg
CP40/100	60	100	35	490	255	190	65	160	1½" BSP	51 Kg

MODEL / PERFORMANCE:

MODEL	POWER kW	MOTOR CURRENT AMP	VOLTAGE VOLT	RPM	DELIVERY l/min														
					35	45	60	75	90	105	125	145	165	190	215	240	265		
					DELIVERY m³/h														
					2.1	2.7	3.6	4.5	5.4	6.3	7.5	8.7	9.9	11.4	12.9	14.4	15.9		
					TOTAL HEAD m														
CP40	0.75	45	24	1500		16	15	14	13	12	10	7	5						
CP40/100	1.5	85	12	1400	20	19	17	16	15	13.5	12	11	9	7	5	3.5	2		

MATERIALS OF CONSTRUCTION:

PUMP BODY	Bronze
IMPELLER	Bronze
SHAFT	Stainless steel AISI316
MECH. SEAL	Carbon-ceramic faces

MOTOR:

INSULATION	'F' class
PROTECTION	Totally enclosed IP22
VOLTAGES	24v d.c.

APPLICATIONS:

Diesel fuel transfer, fresh water supply, fire fighting, grey water discharge (galley and showers), suitable for many low viscosity liquids

GENERAL:

The 'CP' series has an outstanding self-priming capability. They are designed for clean liquids and can stand reasonable amounts of air in the liquid

Doc652/13