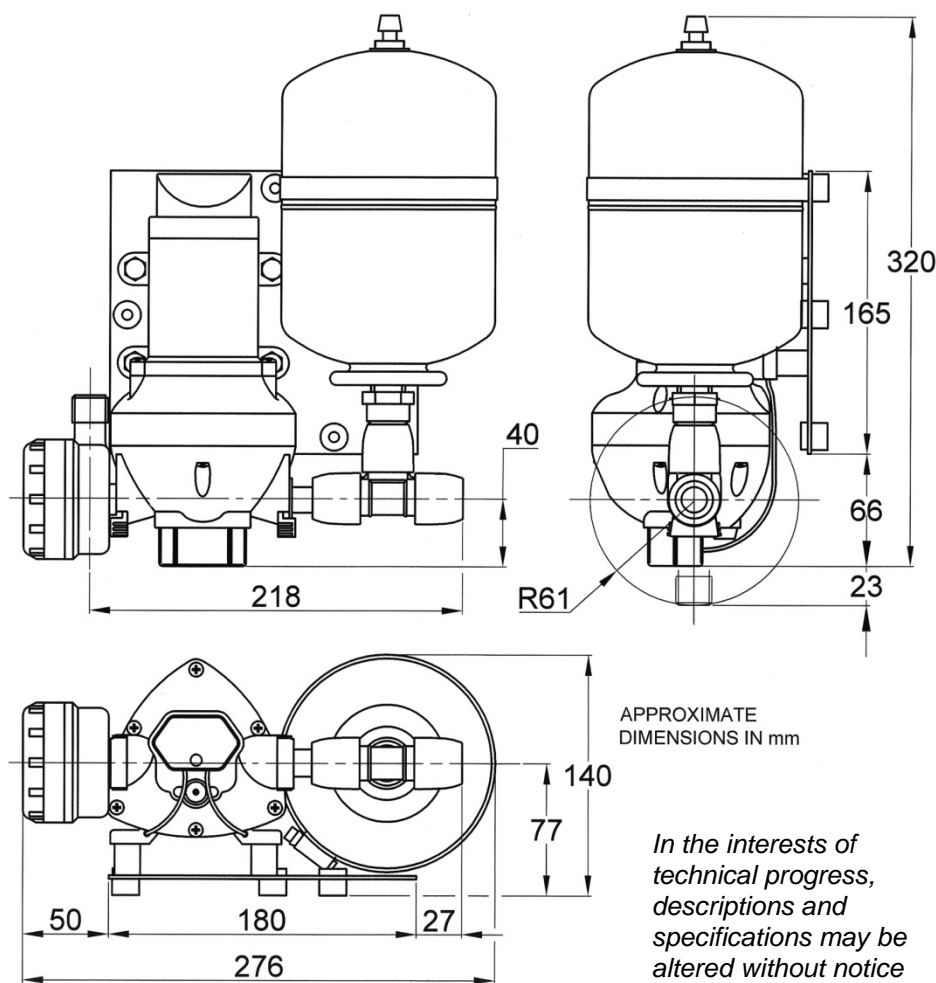


In addition to the pump itself, pressurised water systems require an inlet strainer and a pressure reservoir (accumulator tank) for smooth, reliable operation. The **MAXI-SYSTEM 2.9** combines them all in one compact unit. No time-consuming assembly work – just 3 mounting screws, 2 electrical leads and 2 pipe connections.....and the job's done.

**MAXI-SYSTEM 2.9** offers savings all-round!

- ◆ Jabsco's 2.9 pump: powerful, very quiet and inexpensive
- ◆ Ultra-simple to install, using 15mm Hep<sub>20</sub> push-fit pipework
- ◆ Pressure switch cuts in at 15 psi, out at 25 psi
- ◆ Ample flow for up to 3 outlets in smaller boats



Model no	Volts dc	Amp draw	Fuse size amps	Cut-in pressure	15 psi (1 bar)
CW462	12	4.0	10	Cut-out pressure	25 psi (1.7 bar)
CW464	24	2.0	6		

# CLEGHORN WARING

## MAXI-SYSTEM 2.9+2 PRESSURISED WATER SYSTEM 12 AND 24 VOLTS DC



- ◆ Up to 11 litres/minute (2.4 gallons/minute) for up to 3 outlets in smaller boats
- ◆ Includes 2 litre accumulator tank and inlet strainer
- ◆ Smooth flow
- ◆ Very quiet
- ◆ Easy to fit – pre-assembled for ultra-simple installation
- ◆ Quick and easy Hep<sub>20</sub> push-fit pipe connections